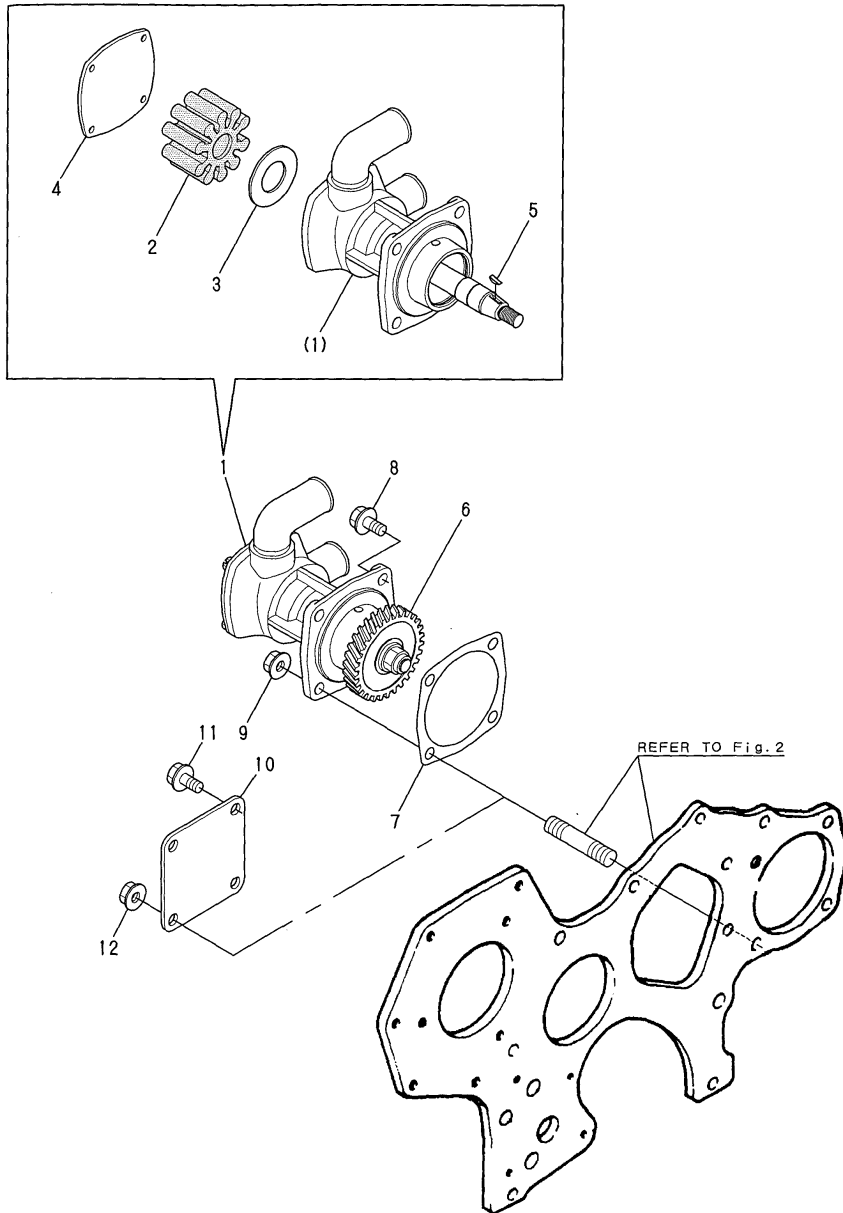


Fig.19. C.S.W.PUMP

(A)=4JH3-TE-YEU
(B)=
(C)=

(D)=
(E)=
(F)=

Fig. 19 冷却水ポンプ (海水)
C. S. W. PUMP



No.	Lev.	Parts No.	Description	Q'ty						I	R
				(A)	(B)	(C)	(D)	(E)	(F)		
1	1	129670-42500	PUMP ASSY, WATER	1							1
2	2	129670-42530	IMPELLER	1							
3	2	129670-42540	PLATE	1							
4	2	129670-42520	COVER	1							
5	2	129670-42580	KEY	1							
6	1	129670-42700	GEAR, PUMP	1							
7	1	129150-01881	GASKET	1							
8	1	26106-080162	BOLT, M8X 16 PLATED	3							
9	1	26366-080002	NUT, M8	1							
10	1	124240-01871	COVER	1							
11	1	26106-080162	BOLT, M8X 16 PLATED	3							
12	1	26366-080002	NUT, M8	1							

Remarks

(1) JOHNSON PUMP:10-24508-01