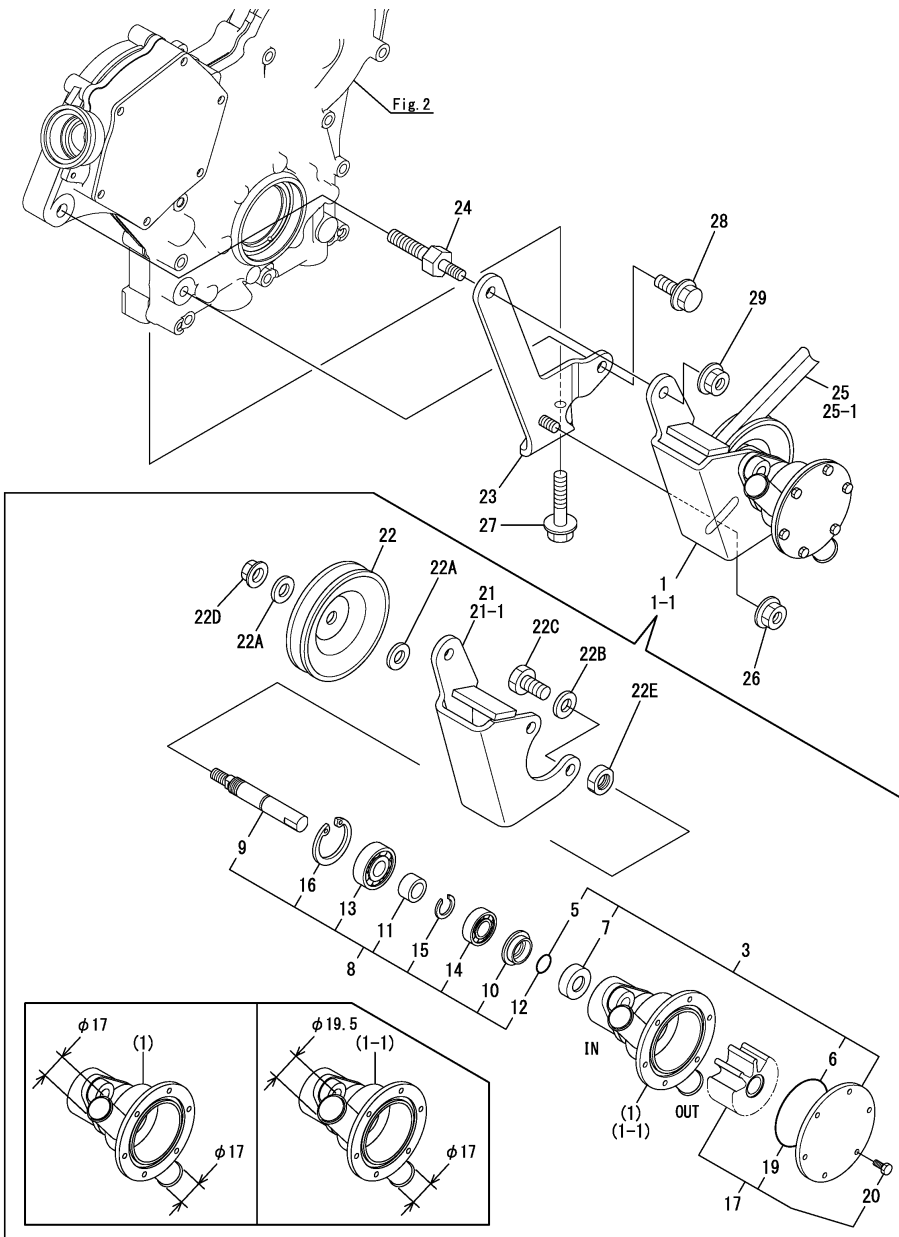


Fig.13. COOLING PUMP(SEA WATER)(TO E/#E13045)



(A)=3YM20

(B)=

(C)=

(D)=

(E)=

(F)=

No.	Lev.	Parts No.	Description	Q'ty						I	R
				(A)	(B)	(C)	(D)	(E)	(F)		
1	1	128990-42500	PUMP ASSY, WATER	1							
1-1	1	128990-42510	PUMP ASSY, WATER	1							S 2
(A=E/#E08826)											
1-2	1	128990-42510	PUMP ASSY, WATER	1							Z
(A=E/#E13046)											
3	2	128990-42550	WEAR KIT	1							W
(A=E/#E13982)											
5	3	X02173432	O-RING	1							
6	3	X02173476	O-RING	1							
7	3	X02233010	SEAL, LIP	1							
8	2	128990-42560	SHAFT KIT	1							W
(A=E/#E13982)											
9	3	X0146541	SHAFT, WATER PUMP	1							
10	3	X0145050	PLATE	1							
11	3	X0146542	SPACER	1							
12	3	X02173432	O-RING	1							
13	3	X03431760	BEARING, BALL	1							
14	3	X03431748	BEARING, BALL	1							
15	3	X00370012	RING, RETAINING	1							
16	3	X00371732	RING, RETAINING	1							
17	2	128990-42570	IMPELLER KIT	1							W
(A=E/#E13982)											
19	3	X02173476	O-RING	1							
20	3	128990-42520	SCREW	6							
21	2	128990-42150	BRACKET, PUMP	1							
21-1	2	128990-42151	BRACKET, PUMP A	1							F 1
(A=E/#E00304)											
22	2	124070-42400	V-PULLEY, PUMP	1							
22A	2	X014678901	WASHER	2							
22B	2	X00353309	WASHER	2							
22C	2	X00141916	SCREW	2							
22D	2	X00190050	NUT, LOCK	1							
22E	2	X00183200	NUT	1							
23	1	128990-42160	BRACKET, PUMP B	1							
24	1	128990-42170	BOLT, SPACER	1							
25	1	128990-77350	V-BELT, M/20	1							
25-1	1	104511-78780	V-BELT, M/19	1							F 1
(A=E/#E00304)											
26	1	26366-080002	NUT, M8	1							
27	1	26106-060302	BOLT, M6X 30 PLATED	1							
28	1	26106-080202	BOLT, M8X 20 PLATED	1							
29	1	26366-080002	NUT, M8	1							

Remarks

(1)No.21-1 & 25-1 interchangeable by set.

(2)Interchangeable by simultaneous replacement with loalarrangements pump entrance hose(57mm-68mm).